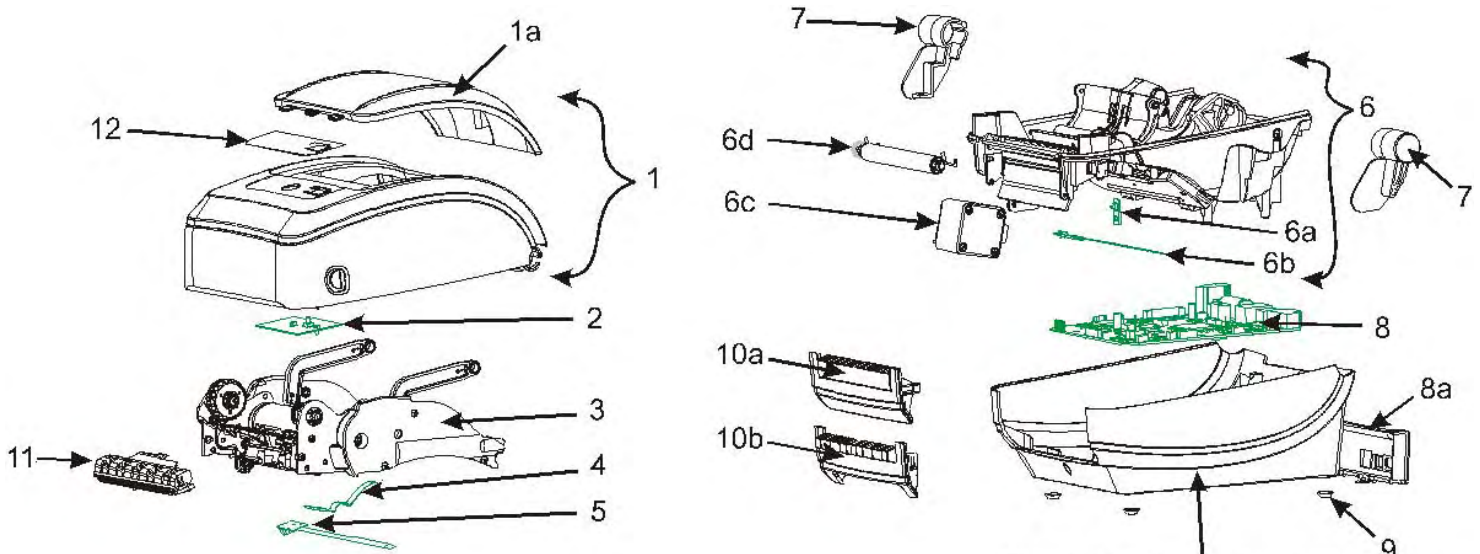
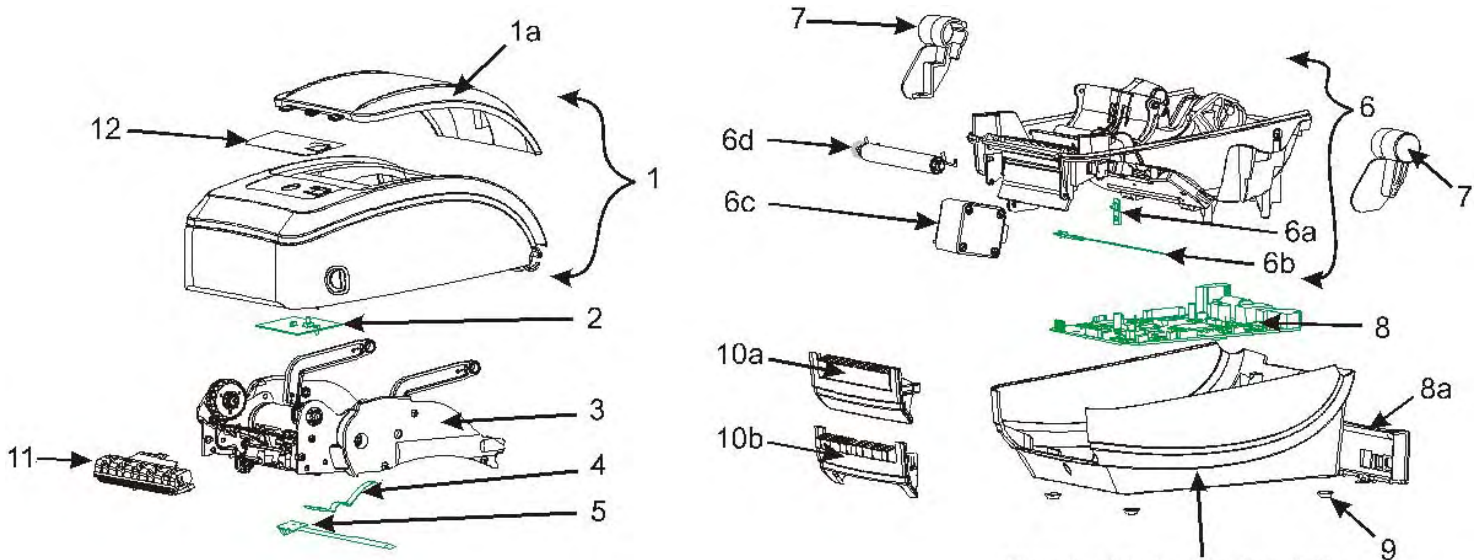


Item Number	Description	Part Number	Kit Quantity	Price €
GK420t (GK42-1x2xxx-xxx) A two "2" as the 8th parameter of the part number indicates a revision 2.0 configuration				
1	Cover Assembly (t) (includes Media Window)	105934-006	1	€ 42.00
1a	Media Window (t)	105934-002	1	€ 18.00
2	Feed Switch (t)	105934-004	1	€ 13.00
3	Ribbon Carriage, 203 dpi	P1027135-046	1	€ 163.00
4	Upper Gap Sensor, Fixed (t)	P1027135-003	1	€ 20.80
5	Ribbon Out Sensor (t)	P1027135-014	1	€ 33.00
6	Print Mech. Fixed Sensor (t) inc. Gap/Blackline Snsr, Motor, Platen, Head Up Snsr	P1027135-007	1	€ 133.71
6b	Gap/Blackline Sensor, Fixed (t)	P1027135-013	1	€ 25.00
6a	Head Up Sensor (t)	105934-042	1	€ 25.00
6c	Motor Assembly, 203 dpi (t)	P1027135-043	1	€ 33.60
6d	Platen, Std (t)	P1027135-040	1	€ 14.00
	Platen Bearings (t)	105934-099	1	€ 9.00
7	Cover Hinge R&L (t)	105934-048	1	€ 13.00
8	GK Main Logic Board, USB/Serial	P1027135-015	1	€ 166.96
8a	Back Panel, USB/Serial (t)	P1027135-020	1	€ 10.00
8	GK Main Logic Board, USB/Ethernet	P1027135-016	1	€ 292.00
8a	Back Panel, USB/Ethernet (t)	105934-075	1	€ 11.00
	Interface Fuse, 1A	105934-076	1	€ 9.00
9	Rubber Foot	105934-024	4	€ 7.00
10a	Front Bezel, Std (t)	105934-030	1	€ 10.00
10b	Front Bezel, Dispenser (t)	P1027135-045	1	€ 40.00
11	Printhead, 203 dpi (t)	105934-038	1	€ 105.00
12	Nameplate, GK420t	105934-061	1	€ 7.00
<i>not shown</i>	Shipping Pack (t)	105934-051	1	€ 33.00
	Ribbon Core, 4" Thermal Transfer	P1027135-048	50	€ 76.00
	Users CD-ROM	P1027135-049	1	€ 7.00
	Power Supply, 70W C13 with UK & Euro Cords	105934-053	1	€ 100.00
	Power Cord, 220V Euro C13	105950-015	5	€ 49.00
	Power Cord, 240V UK,C13	105950-030	5	€ 75.00



Note: the printer base is only available through the Zebra Repair Depot.

Item Number	Description	Part Number	Kit Quantity	Price €
GK420t (GK42-1x0xxx-xxx) A zero "0" as the 8th parameter of the part number indicates a revision 1.0 configuration				
1	Cover Assembly (t) (includes Media Window)	105934-006	1	€ 42.00
1a	Media Window (t)	105934-002	1	€ 18.00
2	Feed Switch (t)	105934-004	1	€ 13.00
3	Ribbon Carriage, 203 dpi	105934-017	1	€ 163.00
4	Upper Gap Sensor, Fixed (t)	105934-009	1	€ 24.00
5	Ribbon Out Sensor (t)	105934-046	1	€ 33.00
6	Print Mech. Fixed Sensor (t) inc. Gap/Blackline Snsr, Motor, Platen, Head Up Snsr	105934-111	1	€ 117.00
6b	Gap/Blackline Sensor, Fixed (t)	105934-045	1	€ 25.00
6a	Head Up Sensor (t)	105934-042	1	€ 25.00
6c	Motor Assembly, 203 dpi (t)	105934-058	1	€ 42.00
6d	Platen, Std (t)	105934-035	1	€ 14.00
	Platen Bearings (t)	105934-099	1	€ 9.00
7	Cover Hinge R&L (t)	105934-048	1	€ 13.00
8	GK Main Logic Board, USB/Serial	105934-070	1	€ 192.00
8a	Back Panel, USB/Serial (t)	105934-072	1	€ 10.00
8	GK Main Logic Board, USB/Ethernet	105934-073	1	€ 292.00
8a	Back Panel, USB/Ethernet (t)	105934-075	1	€ 11.00
	Interface Fuse, 1A	105934-076	1	€ 9.00
9	Rubber Foot	105934-024	4	€ 7.00
10a	Front Bezel, Std (t)	105934-030	1	€ 10.00
10b	Front Bezel, Dispenser (t)	105934-031	1	€ 40.00
11	Printhead, 203 dpi (t)	105934-038	1	€ 105.00
12	Nameplate, GK420t	105934-061	1	€ 7.00
<i>not shown</i>	Shipping Pack (t)	105934-051	1	€ 33.00
	Ribbon Core, 4" Thermal Transfer	P1027135-048	50	€ 76.00
	Users CD-ROM	105934-052	1	€ 7.00
	Power Supply, 70W C13 with UK & Euro Cords	105934-053	1	€ 100.00
	Power Cord, 220V Euro C13	105950-015	5	€ 49.00
	Power Cord, 240V UK,C13	105950-030	5	€ 75.00



Note: the printer base is only available through the Zebra Repair Depot.