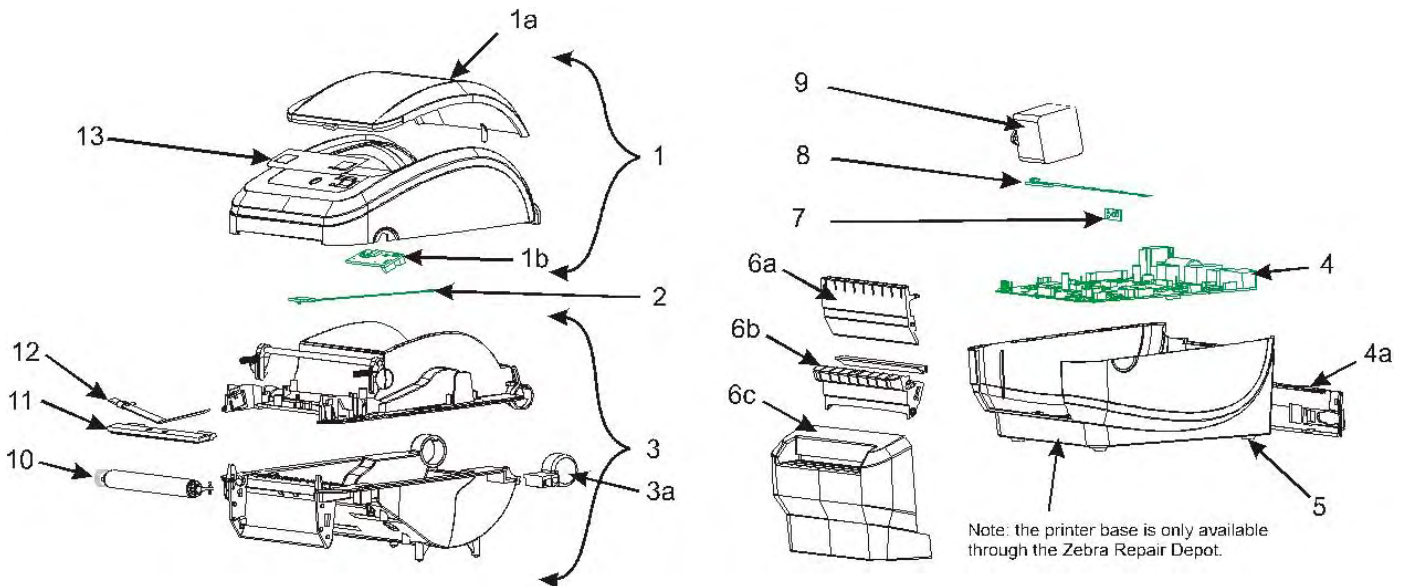


Item Number	Description	Part Number	Kit Quantity	Price €
GX420d (GX42-2x2xxx-xxx) A two "2" as the 8th parameter of the part number indicates a revision 2.0 configuration				
1	Cover Assembly (d) (includes Media Window)	105934-005	1	€ 21.00
	Cover Assembly for Cutter enabled printer (d)	105934-108	1	€ 20.13
	Cover Assembly for Cutter and Wireless enabled printer (d)	105934-109	1	€ 61.25
	LCD Cover Assembly (d) (includes Media Window)	105934-049	1	€ 26.00
1a	Media Window (d)	105934-001	1	€ 16.00
1b	Feed Switch (d)	105934-003	1	€ 13.00
	LCD Display/Feed Switch (with Bluetooth Wireless)	105934-056	1	€ 121.00
	LCD Display/Feed Switch (with 802.11g Wireless)	105934-057	1	€ 83.00
2	Upper Gap Sensor, Fixed (d)	P1027135-001	1	€ 30.00
2	Upper Gap Sensor, Movable (d)	P1027135-002	1	€ 71.00
3	Print Mech. Fixed Sensor (d) (includes Hinge, Print Head Cables, Feed Switch Cable)	P1027135-005	1	€ 134.00
3	Print Mech. Movable Sensor (d) (includes Hinge, Print Head Cables, Feed Switch Cable)	P1027135-006	1	€ 221.00
3a	Cover Hinge (d)	105934-047	1	€ 8.00
4	GX Main Logic Board, USB/Serial/Parallel, ZBI	P1027135-017	1	€ 219.00
4	GX Main Logic Board, USB/Serial/Parallel, 64MB, RTC, ZBI	P1027135-018	1	€ 288.00
4	GX MLB, USB/Serial/Parallel, 64MB, RTC, 203 dpi, Liner Tag Cutter, ZBI	P1027135-035	1	€ 288.00
4a	Back Panel, USB/Serial/Parallel (Direct Thermal)	P1027135-019	1	€ 10.00
4	GX Main Logic Board, USB/Serial/Ethernet, ZBI	P1027135-021	1	€ 329.00
4	GX Main Logic Board, USB/Serial/Ethernet, 64MB, RTC, 203 dpi, ZBI	P1027135-036	1	€ 371.00
4	GX MLB, USB/Serial/Ethernet, 64MB, RTC, 203 dpi, Liner Tag Cutter, ZBI	P1027135-033	1	€ 371.00
4a	Back Panel, USB/Serial/Ethernet (Direct Thermal)	105934-086	1	€ 11.00
4	GX Main Logic Board, USB/Serial/Bluetooth Wireless 64MB, RTC, 203 dpi, ZBI	P1027135-038	1	€ 301.00
4	GX MLB, USB/Serial/Bluetooth Wireless, 64MB, RTC, 203 dpi, Liner Tag Cutter, ZBI	P1027135-031	1	€ 301.00
4a	Back Panel, USB/Serial/Wireless (Direct Thermal)	105934-089	1	€ 13.00
	Interface Fuse, 1A	105934-076	1	€ 9.00
	Battery, 3V Lithium	G105950-003	10	€ 24.00
5	Rubber Foot	105934-024	4	€ 7.00
6a	Front Bezel, Std (d)	105934-025	1	€ 9.00
6b	Front Bezel, Dispenser (d)	P1027135-044	1	€ 54.00
6c	Light Duty Cutter (d)	105934-027	1	€ 274.00
6c	Medium Duty Partial Cut Cutter (d)	105934-028	1	€ 267.00
6c	Medium Duty Partial Liner Free Cutter (d)	105934-055	1	€ 369.00
6c	Medium Duty Cutter (d)	105934-029	1	€ 369.00
7	Head Up Sensor (d)	105934-041	1	€ 25.00
8	Gap/Blackline Sensor, Fixed (d)	P1027135-011	1	€ 27.00
8	Gap/Blackline Sensor, Moveable	P1027135-012	1	€ 92.00
9	Motor Assembly, 203 dpi	P1027135-041	1	€ 59.13
10	Platen, Std (d)	P1027135-039	1	€ 16.52
	Platen Bearings (d)	105934-059	1	€ 9.00
11	Printhead, 203 dpi (d)	105934-037	1	€ 105.00
12	Printhead Spring/Clip (d)	105934-040	1	€ 13.00
13	Nameplate, GX420d	105934-062	1	€ 7.00
	Nameplate, GX420d with LCD	105934-067	1	€ 12.00
<i>not shown</i>	Shipping Pack (d)	105934-050	1	€ 27.00
	Users CD-ROM	P1027135-049	1	€ 7.00
	Power Supply, 100W C13 with UK & Euro Cords	105934-054	1	€ 100.00
	Power Cord, 220V Euro C13	105950-015	5	€ 49.00
	Power Cord, 240V UK, C13	105950-030	5	€ 75.00



Item Number	Description	Part Number	Kit Quantity	Price €
GX420d (GX42-2x0xxx-xxx) A zero "0" as the 8th parameter of the part number indicates a revision 1.0 configuration				
1	Cover Assembly (d) (includes Media Window)	105934-005	1	€ 21.00
	Cover Assembly for Cutter enabled printer (d)	105934-108	1	€ 20.13
	Cover Assembly for Cutter and Wireless enabled printer (d)	105934-109	1	€ 61.25
	LCD Cover Assembly (d) (includes Media Window)	105934-049	1	€ 26.00
1a	Media Window (d)	105934-001	1	€ 16.00
1b	Feed Switch (d)	105934-003	1	€ 13.00
	LCD Display/Feed Switch (with Bluetooth Wireless)	105934-056	1	€ 121.00
	LCD Display/Feed Switch (with 802.11g Wireless)	105934-057	1	€ 83.00
2	Upper Gap Sensor, Fixed (d)	105934-007	1	€ 30.00
2	Upper Gap Sensor, Movable (d)	105934-008	1	€ 71.00
3	Print Mech. Fixed Sensor (d) (includes Hinge, Print Head Cables, Feed Switch Cable)	105934-011	1	€ 134.00
3	Print Mech. Movable Sensor (d) (includes Hinge, Print Head Cables, Feed Switch Cable)	105934-012	1	€ 221.00
3a	Cover Hinge (d)	105934-047	1	€ 8.00
4	GX Main Logic Board, USB/Serial/Parallel, ZBI	105934-080	1	€ 250.00
4	GX Main Logic Board, USB/Serial/Parallel, 64MB, RTC, ZBI	105934-081	1	€ 288.00
4	GX MLB, USB/Serial/Parallel, 64MB, RTC, 203 dpi, Liner Tag Cutter, ZBI	105934-107	1	€ 288.00
4a	Back Panel, USB/Serial/Parallel (Direct Thermal)	105934-082	1	€ 10.00
4	GX Main Logic Board, USB/Serial/Ethernet, ZBI	105934-084	1	€ 355.00
4	GX Main Logic Board, USB/Serial/Ethernet, 64MB, RTC, 203 dpi, ZBI	105934-113	1	€ 371.00
4	GX MLB, USB/Serial/Ethernet, 64MB, RTC, 203 dpi, Liner Tag Cutter, ZBI	105934-105	1	€ 417.00
4a	Back Panel, USB/Serial/Ethernet (Direct Thermal)	105934-086	1	€ 11.00
4	GX Main Logic Board, USB/Serial/802.11g Wireless 64MB, RTC, 203 dpi, ZBI	105934-114	1	€ 463.00
4	GX Main Logic Board, USB/Serial/Bluetooth Wireless 64MB, RTC, 203 dpi, ZBI	105934-115	1	€ 338.00
4	GX MLB, USB/Serial/802.11g Wireless, 64MB, RTC, 203 dpi, Liner Tag cutter, ZBI	105934-101	1	€ 412.00
4	GX MLB, USB/Serial/Bluetooth Wireless, 64MB, RTC, 203 dpi, Liner Tag Cutter, ZBI	105934-103	1	€ 301.00
4a	Back Panel, USB/Serial/Wireless (Direct Thermal)	105934-089	1	€ 13.00
	Interface Fuse, 1A	105934-076	1	€ 9.00
	Battery, 3V Lithium	G105950-003	10	€ 24.00
5	Rubber Foot	105934-024	4	€ 7.00
6a	Front Bezel, Std (d)	105934-025	1	€ 9.00
6b	Front Bezel, Dispenser (d)	105934-026	1	€ 54.00
6c	Medium Duty Cutter (d)	105934-029	1	€ 369.00
7	Head Up Sensor (d)	105934-041	1	€ 25.00
8	Gap/Blackline Sensor, Fixed (d)	105934-043	1	€ 23.00
8	Gap/Blackline Sensor, Moveable	105934-044	1	€ 92.00
9	Motor Assembly, 203 dpi	105934-022	1	€ 34.00
10	Platen, Std (d)	105934-034	1	€ 19.00
	Platen Bearings (d)	105934-059	1	€ 9.00
11	Printhead, 203 dpi (d)	105934-037	1	€ 105.00
12	Printhead Spring/Clip (d)	105934-040	1	€ 13.00
13	Nameplate, GX420d	105934-062	1	€ 7.00
	Nameplate, GX420d with LCD	105934-067	1	€ 12.00
<i>not shown</i>	Shipping Pack (d)	105934-050	1	€ 27.00
	Users CD-ROM	105934-052	1	€ 7.00
	Power Supply, 100W C13 with UK & Euro Cords	105934-054	1	€ 100.00
	Power Cord, 220V Euro C13	105950-015	5	€ 49.00
	Power Cord, 240V UK, C13	105950-030	5	€ 75.00

