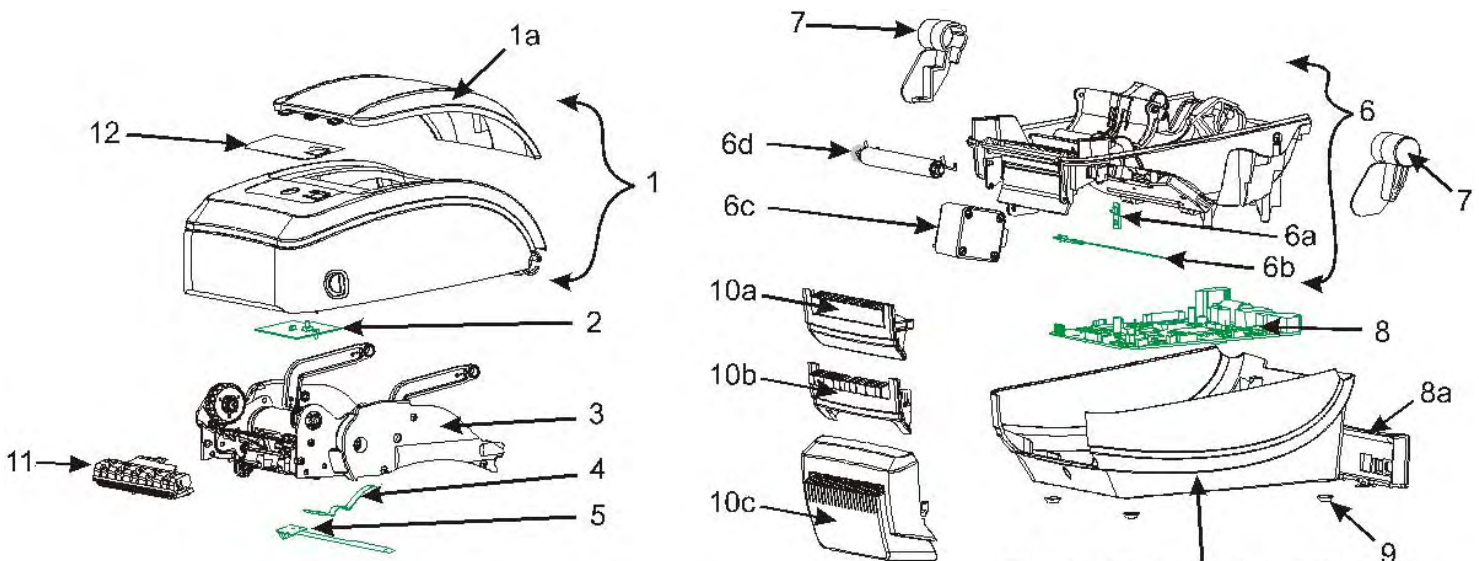
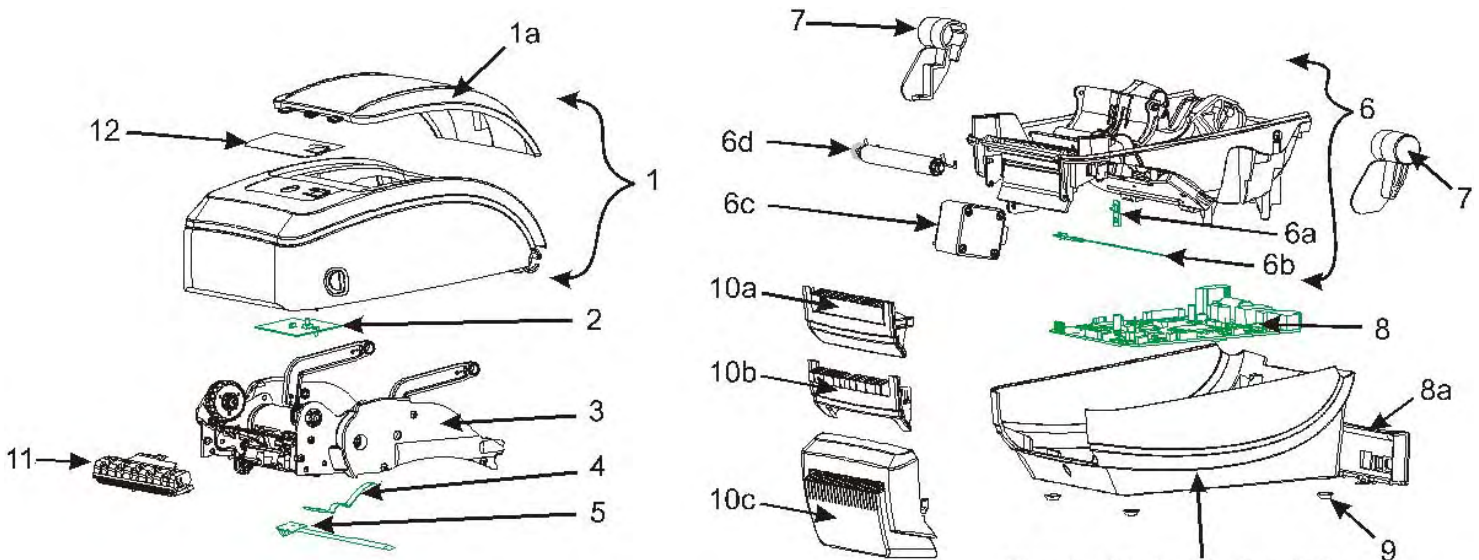


Item Number	Description	Part Number	Kit Quantity	Price €
GX430t (GX43-1x2xxx-xxx) A two "2" as the 8th parameter of the part number indicates a revision 2.0 configuration				
1	Cover Assembly (t) (includes Media Window)	105934-006	1	€ 42.00
1a	Media Window (t)	105934-002	1	€ 18.00
2	Feed Switch (t)	105934-004	1	€ 13.00
	LCD Display/Feed Switch (with Bluetooth Wireless)	105934-056	1	€ 121.00
	LCD Display/Feed Switch (with 802.11g Wireless)	105934-057	1	€ 83.00
3	Ribbon Carriage, 300 dpi	P1027135-047	1	€ 271.00
4	Upper Gap Sensor, Fixed (t)	P1027135-003	1	€ 20.80
	Upper Gap Sensor, Movable (t)	P1027135-004	1	€ 72.00
5	Ribbon Out Sensor (t)	P1027135-014	1	€ 33.00
6	Print Mech. Fixed Sensor, 300 dpi (t) inc. Gap/Blackline Snsr, Motor, Platen, Head Up Snsr	P1027135-009	1	€ 133.33
6b	Gap/Blackline Sensor, Fixed (t)	P1027135-013	1	€ 25.00
6	Print Mech. Moveable Sensor, 300 dpi (t) inc. Gap/Blackline Snsr, Motor, Platen, Head Up Snsr	P1027135-010	1	€ 192.00
6b	Gap/Blackline Sensor, Moveable	P1027135-012	1	€ 92.00
6a	Head Up Sensor (t)	105934-042	1	€ 25.00
6c	Motor Assembly, 300 dpi	P1027135-042	1	€ 42.00
6d	Platen, Std (t)	P1027135-040	1	€ 14.00
	Platen Bearings (t)	105934-099	1	€ 9.00
7	Cover Hinge R&L (t)	105934-048	1	€ 13.00
8	GX Main Logic Board, USB/Serial/Parallel, 300 dpi, ZBI	P1027135-022	1	€ 219.00
8	GX Main Logic Board, USB/Serial/Parallel, 64MB, RTC, 300 dpi, ZBI	P1027135-023	1	€ 288.00
8a	GX MLB, USB/Serial/Parallel, 64MB, RTC, 300 dpi, Liner Tag Cutter, ZBI	P1027135-034	1	€ 288.00
8	Back Panel, USB/Serial/Parallel (Thermal Transfer)	P1027135-020	1	€ 10.00
8	GX Main Logic Board, USB/Serial/Ethernet, 300 dpi, ZBI	P1027135-024	1	€ 371.00
8a	GX Main Logic Board, USB/Serial/Ethernet, 64MB, RTC, 300 dpi, ZBI	P1027135-025	1	€ 371.00
8	GX MLB, USB/Serial/Ethernet, 64MB, RTC, 300 dpi, Liner Tag Cutter, ZBI	P1027135-032	1	€ 371.00
8	Back Panel, USB/Serial/Ethernet (Thermal Transfer)	105934-087	1	€ 10.00
	GX Main Logic Board, USB/Serial/Bluetooth Wireless, 64MB, RTC, 300 dpi, ZBI	P1027135-027	1	€ 301.00
	GX MLB, USB/Serial/Bluetooth Wireless, 64MB, RTC, 300 dpi, Liner Tag Cutter, ZBI	P1027135-030	1	€ 301.00
8a	Back Panel, USB/Serial/Wireless (t)	105934-090	1	€ 12.00
	Interface Fuse, 1A	105934-076	1	€ 9.00
	Battery, 3V Lithium	G105950-003	10	€ 24.00
9	Rubber Foot	105934-024	4	€ 7.00
10a	Front Bezel, Std (t)	105934-030	1	€ 10.00
10b	Front Bezel, Dispenser (t)	P1027135-045	1	€ 40.00
10c	Medium Duty Cutter (t)	105934-033	1	€ 338.00
11	Printhead, 300 dpi (t)	105934-039	1	€ 214.00
12	Nameplate, GX430t	105934-064	1	€ 7.00
	Nameplate, GX430t with LCD	105934-069	1	€ 12.00
<i>not shown</i>	Shipping Pack (t)	105934-051	1	€ 33.00
	Ribbon Core, 4" Thermal Transfer	P1027135-048	50	€ 76.00
	Users CD-ROM	P1027135-049	1	€ 7.00
	Power Supply, 100W C13 with UK & Euro Cords	105934-054	1	€ 100.00
	Power Cord, 220V Euro C13	105950-015	5	€ 49.00
	Power Cord, 240V UK, C13	105950-030	5	€ 75.00



Note: the printer base is only available through the Zebra Repair Depot.

Item Number	Description	Part Number	Kit Quantity	Price €
GX430t (GX43-1x0xxx-xxx) A zero "0" as the 8th parameter of the part number indicates a revision 1.0 configuration				
1	Cover Assembly (t) (includes Media Window)	105934-006	1	€ 42.00
1a	Media Window (t)	105934-002	1	€ 18.00
2	Feed Switch (t)	105934-004	1	€ 13.00
	LCD Display/Feed Switch (with Bluetooth Wireless)	105934-056	1	€ 121.00
	LCD Display/Feed Switch (with 802.11g Wireless)	105934-057	1	€ 83.00
3	Ribbon Carriage, 300 dpi	105934-018	1	€ 271.00
4	Upper Gap Sensor, Fixed (t)	105934-009	1	€ 24.00
	Upper Gap Sensor, Movable (t)	105934-010	1	€ 72.00
5	Ribbon Out Sensor (t)	105934-046	1	€ 33.00
6	Print Mech. Fixed Sensor, 300 dpi (t) inc. Gap/Blackline Snsr, Motor, Platen, Head Up Snsr	105934-112	1	€ 125.00
6b	Gap/Blackline Sensor, Fixed (t)	105934-045	1	€ 25.00
6	Print Mech. Moveable Sensor, 300 dpi (t) inc. Gap/Blackline Snsr, Motor, Platen, Head Up Snsr	105934-016	1	€ 192.00
6b	Gap/Blackline Sensor, Moveable	105934-044	1	€ 92.00
6a	Head Up Sensor (t)	105934-042	1	€ 25.00
6c	Motor Assembly, 300 dpi	105934-023	1	€ 42.00
6d	Platen, Std (t)	105934-035	1	€ 14.00
	Platen Bearings (t)	105934-099	1	€ 9.00
7	Cover Hinge R&L (t)	105934-048	1	€ 13.00
8	GX Main Logic Board, USB/Serial/Parallel, 300 dpi, ZBI	105934-093	1	€ 246.00
8	GX Main Logic Board, USB/Serial/Parallel, 64MB, RTC, 300 dpi, ZBI	105934-094	1	€ 288.00
8a	GX MLB, USB/Serial/Parallel, 64MB, RTC, 300 dpi, Liner Tag Cutter, ZBI	105934-106	1	€ 288.00
8	Back Panel, USB/Serial/Parallel (Thermal Transfer)	105934-083	1	€ 10.00
8	GX Main Logic Board, USB/Serial/Ethernet, 300 dpi, ZBI	105934-095	1	€ 371.00
8a	GX Main Logic Board, USB/Serial/Ethernet, 64MB, RTC, 300 dpi, ZBI	105934-096	1	€ 371.00
8	GX MLB, USB/Serial/Ethernet, 64MB, RTC, 300 dpi, Liner Tag Cutter, ZBI	105934-104	1	€ 371.00
8	Back Panel, USB/Serial/Ethernet (Thermal Transfer)	105934-087	1	€ 10.00
	GX Main Logic Board, USB/Serial/802.11g Wireless, 64MB, RTC, 300 dpi, ZBI	105934-097	1	€ 463.00
	GX Main Logic Board, USB/Serial/Bluetooth Wireless, 64MB, RTC, 300 dpi, ZBI	105934-098	1	€ 301.00
	GX MLB, USB/Serial/802.11g Wireless, 64MB, RTC, 300 dpi, Liner Tag Cutter, ZBI	105934-100	1	€ 412.00
	GX MLB, USB/Serial/Bluetooth Wireless, 64MB, RTC, 300 dpi, Liner Tag Cutter, ZBI	105934-102	1	€ 301.00
8a	Back Panel, USB/Serial/Wireless (t)	105934-090	1	€ 12.00
	Interface Fuse, 1A	105934-076	1	€ 9.00
	Battery, 3V Lithium	G105950-003	10	€ 24.00
9	Rubber Foot	105934-024	4	€ 7.00
10a	Front Bezel, Std (t)	105934-030	1	€ 10.00
10b	Front Bezel, Dispenser (t)	105934-031	1	€ 40.00
10c	Medium Duty Cutter (t)	105934-033	1	€ 338.00
11	Printhead, 300 dpi (t)	105934-039	1	€ 214.00
12	Nameplate, GX430t	105934-064	1	€ 7.00
	Nameplate, GX430t with LCD	105934-069	1	€ 12.00
<i>not shown</i>	Shipping Pack (t)	105934-051	1	€ 33.00
	Ribbon Core, 4" Thermal Transfer	P1027135-048	50	€ 76.00
	Users CD-ROM	105934-052	1	€ 7.00
	Power Supply, 100W C13 with UK & Euro Cords	105934-054	1	€ 100.00
	Power Cord, 220V Euro C13	105950-015	5	€ 49.00
	Power Cord, 240V UK, C13	105950-030	5	€ 75.00



Note: the printer base is only available through the Zebra Repair Depot.